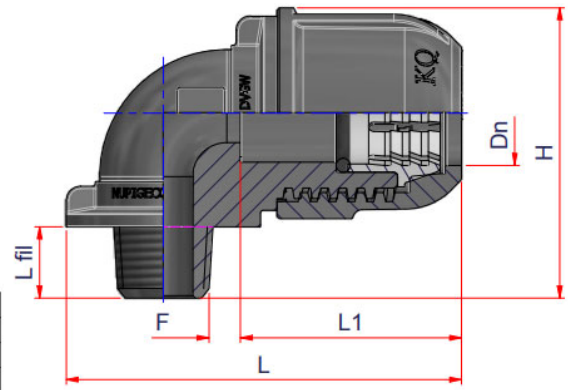


CODE	Dn	F	L fil	L1	L	H
10KGM1638	16	3/8"	11,4	41,5	71,5	49,5
10KGM1612	16	1/2"	15	41,5	71,5	54,5
10KGM2012	20	1/2"	15	47,5	83,5	61,5
10KGM2034	20	3/4"	16,3	47,5	83,5	62,5
10KGM2512	25	1/2"	15	49,5	89,5	67,5
10KGM2534	25	3/4"	16,3	49,5	89,5	68,5
10KGM251	25	1"	19,1	49,5	89,5	71,5
10KGM3212	32	1/2"	15	55	106,5	79
10KGM3234	32	3/4"	16,3	55	106,5	80
10KGM321	32	1"	19,1	55	106,5	83
10KGM32114	32	1"1/4	21,4	55	106,5	85
10KGM63112	63	1"1/2	21,4	79,5	172,5	138
10KGM632	63	2"	25,7	79,5	172,5	142
10KGM63212	63	2"1/2	30,2	79,5	172,5	147



EIOPRESS

ITEM: **KGM**
C:\Vaut_TempiDisegni\Schede Tecniche\Eiopress metric\Compression fittings\EP10016.dwg

DESC: GOMITO A 90° FILETTATO MASCHIO
 THREADED MALE ELBOW 90°



DRAWING No:
EP10016
 SHEET OF REV.
 1 3 -2

www.nupiindustriaitaliane.com - info@nupinet.com

All dimensions have to be considered in millimeters with 5% tolerance if not otherwise mentioned

All right reserved - Drawing cannot be reproduced in anyway, failure to do so will entitle Nupi Industrie Italiane to legal action. Information on this document are subject to change without notice