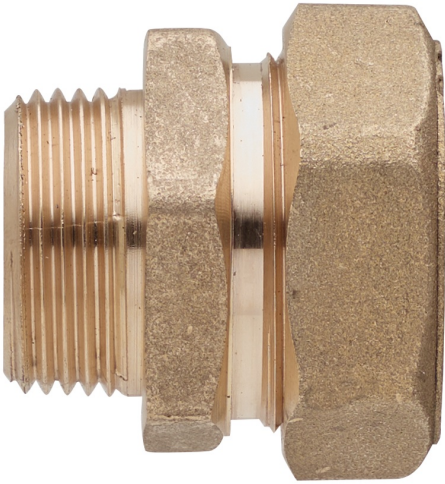


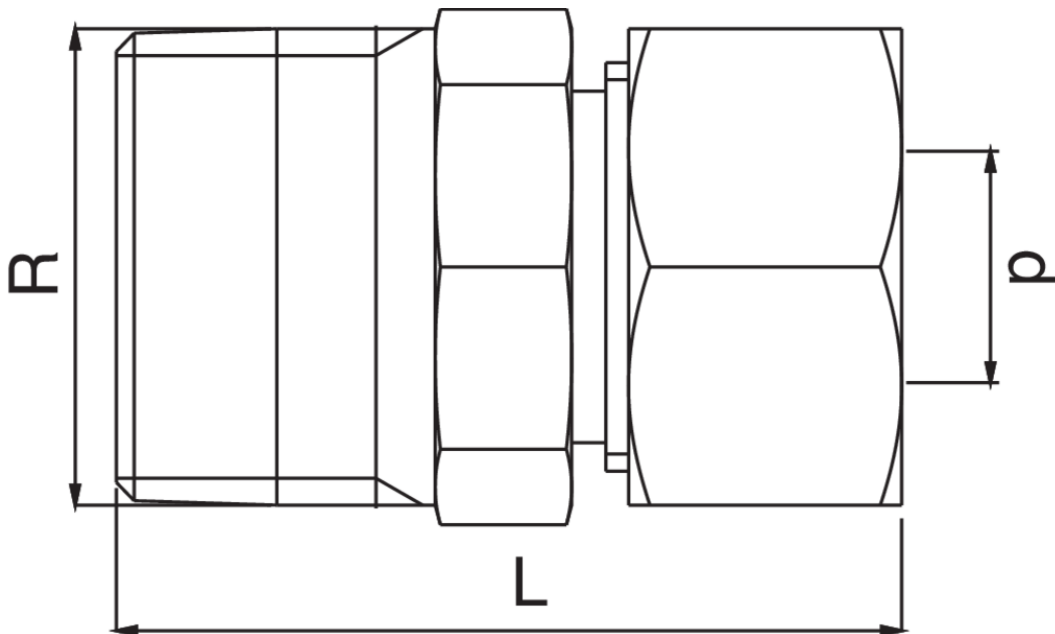
OT2007

Manicotto F/filetto maschio.



Specifiche tecniche

Disegno



Tabella

R X D	BAG	MASTER BOX	CODICE	L
3/8" x 8	10	250	OT2007A38008000	32
3/8" x 10	10	250	OT2007A38010000	33,5
3/8" x 12	10	250	OT2007A38012000	35
3/8" x 14	10	120	OT2007A38014000	34
3/8" x 16	10	120	OT2007A38016000	37
1/2" x 10	10	200	OT2007A12010000	33,5
1/2" x 12	10	200	OT2007A12012000	35
1/2" x 14	10	150	OT2007A12014000	36,5
1/2" x 16	10	150	OT2007A12016000	37,5
1/2" x 18	10	100	OT2007A12018000	39
1/2" x 22	10	70	OT2007A12022000	42,5
3/4" x 12	10	120	OT2007A34012000	37
3/4" x 14	10	100	OT2007A34014000	38,5
3/4" x 16	10	100	OT2007A34016000	40
3/4" x 18	10	100	OT2007A34018000	40,5
3/4" x 22	5	80	OT2007A34022000	43,5
1" x 18	10	70	OT2007B01018000	44,5
1" x 22	5	80	OT2007B01022000	45,5
1" x 28	10	50	OT2007B01028000	47

Applicazioni



DRINKING
WATER



HEATING



HVAC



GAS



COMPRESSED
AIR