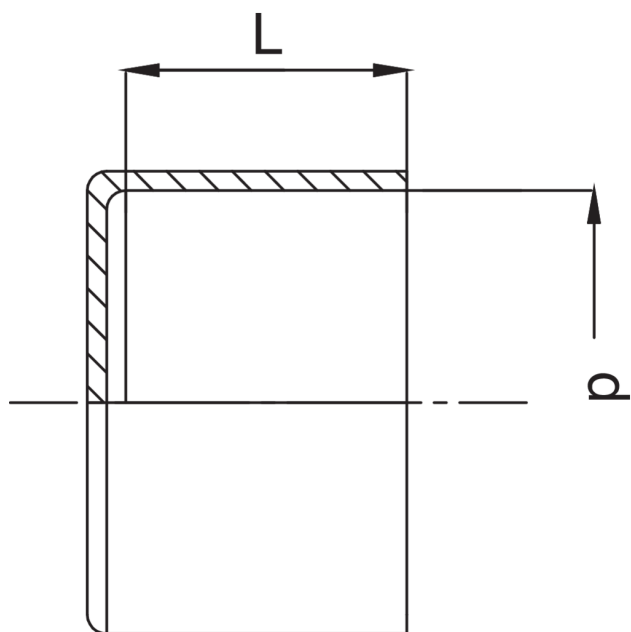


Tappo femmina.

## Specifiche tecniche

Disegno



## Tabella

| D     | BAG | MASTER BOX | CODICE          | L MIN |
|-------|-----|------------|-----------------|-------|
| 3/8"  | 10  | 500        | FR5301A38000000 | 7,9   |
| 1/2"  | 10  | 500        | FR5301A12000000 | 9,7   |
| 5/8"  | 10  | 50         | FR5301A58000000 | 12,7  |
| 3/4"  | 10  | 400        | FR5301A34000000 | 15,8  |
| 7/8"  | 10  | 300        | FR5301A78000000 | 19,1  |
| 1"    | 5   | 50         | FR5301B01000000 | 22    |
| 1"1/8 | 5   | 150        | FR5301B18000000 | 23,1  |
| 1"3/8 | 5   | 100        | FR5301B38000000 | 24,6  |
| 1"5/8 | 5   | 60         | FR5301B58000000 | 27,7  |

## Applicazioni



REFRIGERATION