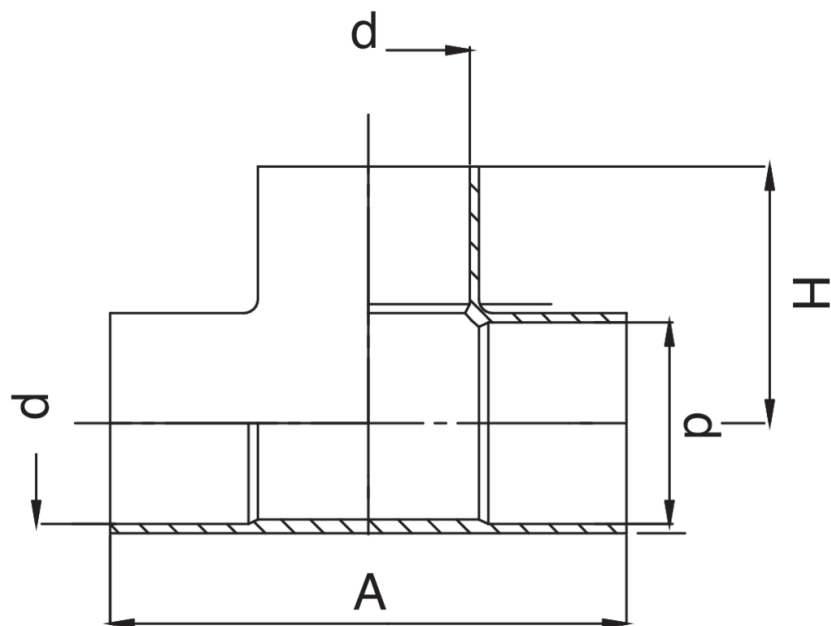


Raccordo a T femmina.

Specifiche tecniche

Disegno



Tabella

D	BAG	MASTER BOX	CODICE	A	H
6	10	750	RR5130006006006	23	11
8	10	1400	RR5130008008008	23	13
10	10	1000	RR5130010010010	29	14
12	10	400	RR5130012012012	32	-
14	10	300	RR5130014014014	37	-
15	10	250	RR5130015015015	37	-
16	10	200	RR5130016016016	37	-
18	10	140	RR5130018018018	45	-
20	10	250	RR5130020020020	53	-
22	10	80	RR5130022022022	55	-
25	10	130	RR5130025025025	60	-
28	10	40	RR5130028028028	66	-
32	10	80	RR5130032032032	81	-
35	5	70	RR5130035035035	83	-
36	5	80	RR5130036036036	86	-
40	5	50	RR5130040040040	96	-
42	5	40	RR5130042042042	98	-
52	1	10	RR5130052052052	121	-
54	1	10	RR5130054054054	120	-
63	1	12	RR5130063063063	141	-
64	1	12	RR5130064064064	134	-
67	1	10	RR5130067067067	138	-
76	1	9	RR5130076076076	148	-
80	1	8	RR5130080080080	164	-
89	1	5	RR5130089089089	182	-
108	1	3	RR5130108108108	216	-

Applicazioni



DRINKING
WATER



HEATING



HVAC



GAS



COMPRESSED
AIR



SOLAR



INDUSTRIAL