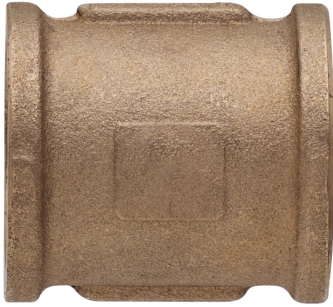


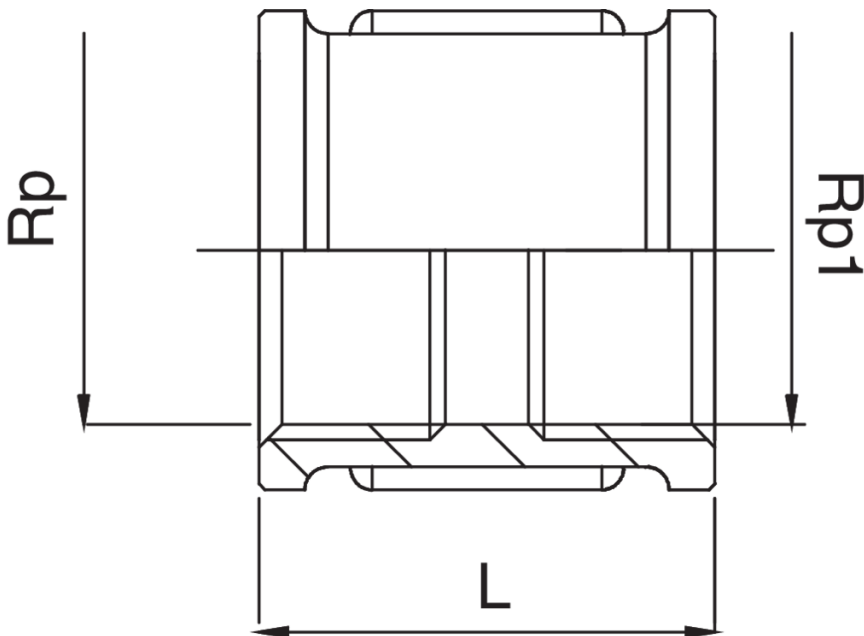
OT5270

Manicotto filetto femmina/femmina.



Specifiche tecniche

Disegno



Tabella

RP X RP1	BAG	MASTER BOX	CODICE	L
1/4" x 1/4"	10	300	OT5270A14A14000	25
3/8" x 1/4"	10	300	OT5270A38A14000	25
3/8" x 3/8"	10	300	OT5270A38A38000	25
1/2" x 3/8"	10	150	OT5270A12A38000	27,5
1/2" x 1/2"	10	150	OT5270A12A12000	35
3/4" x 1/2"	10	150	OT5270A34A12000	36
3/4" x 3/4"	10	100	OT5270A34A34000	37
1"1/4 x "2	5	50	OT5270B14C02000	58
1" x 1/2"	10	100	OT5270B01A12000	40
1" x 3/4"	10	100	OT5270B01A34000	45
1" x 1"	5	50	OT5270B01B01000	49
1"1/2 x 1"	5	50	OT5270B12B01000	59
1"1/4 x 1"	5	40	OT5270B14B01000	53,5
1"1/4 x 1"1/2	5	30	OT5270B14B12000	58
1"1/4 x 1"1/4	5	40	OT5270B14B14000	58
1"1/2 x 2"	1	30	OT5270B12C02000	59
1"1/2" x 1"1/2"	5	40	OT5270B12B12000	59
2" x 2"	1	20	OT5270C02C02000	65
2"1/2 x 2"1/2	1	10	OT5270C12C12000	75

Applicazioni



DRINKING
WATER



HEATING



HVAC



GAS



COMPRESSED
AIR



SOLAR



FIREFIGHTING