

# MODULAR COMPACT DISTRIBUTION SYSTEM FOR DOMESTIC WATER SYSTEMS

**K-BLOC**  
MODULAR SYSTEM

EASY AND FAST TO INSTALL  
COMPACT AND STRONG  
FUNCTIONAL DESIGN  
FULL RANGE



FIND OUT MORE

# INSTALLATION IS A GAME FOR PROFESSIONALS



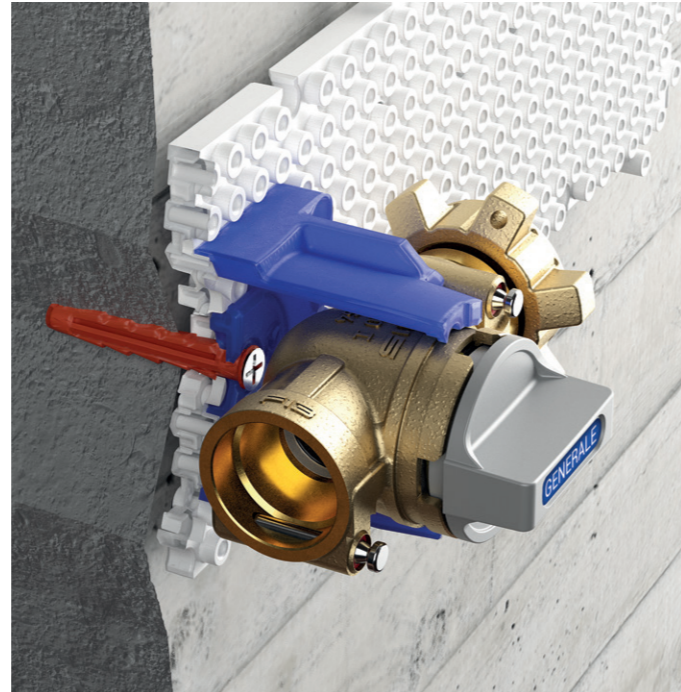
**MODULAR COMPACT DISTRIBUTION SYSTEM FOR DOMESTIC WATER SYSTEMS**



**EASY AND FAST TO INSTALL**

Module preparation is simplified by the TECOFIX fixing system and can easily be performed off-site. Each module can be connected to pipes or system components via the FASTEC connection system, which guarantees fast, secure connections.

The solid module fixing becomes a reference point for anchoring the system to the structure.



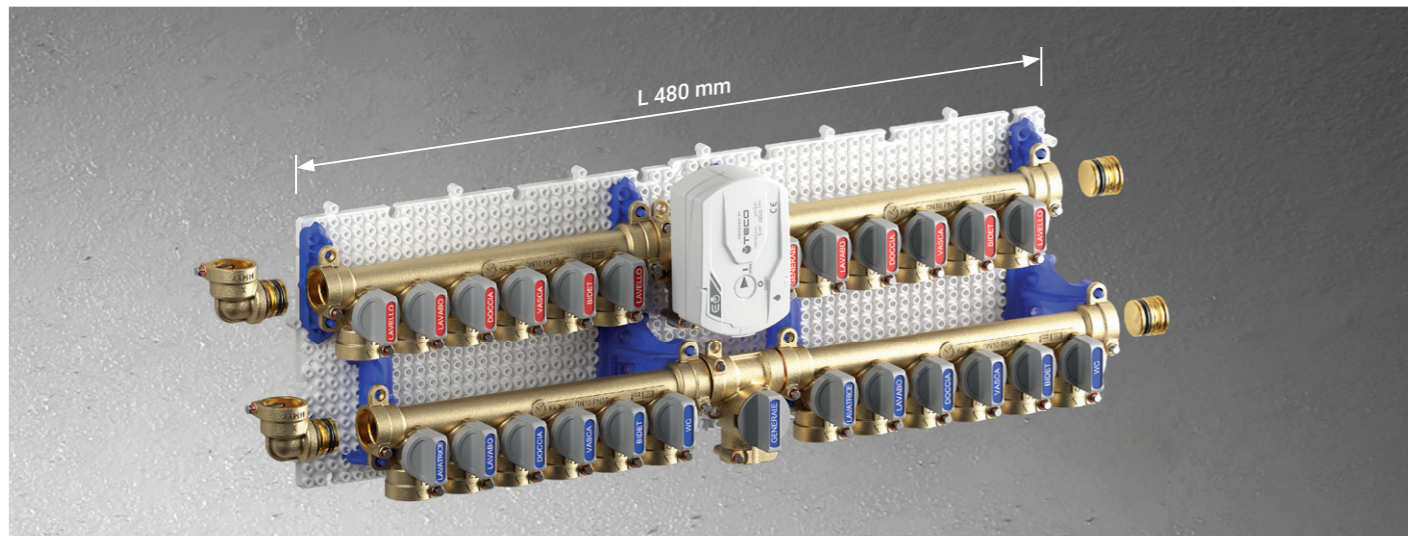
**COMPACT AND STRONG**

All components have been designed to maximise compactness, facilitating installation in tight spaces.



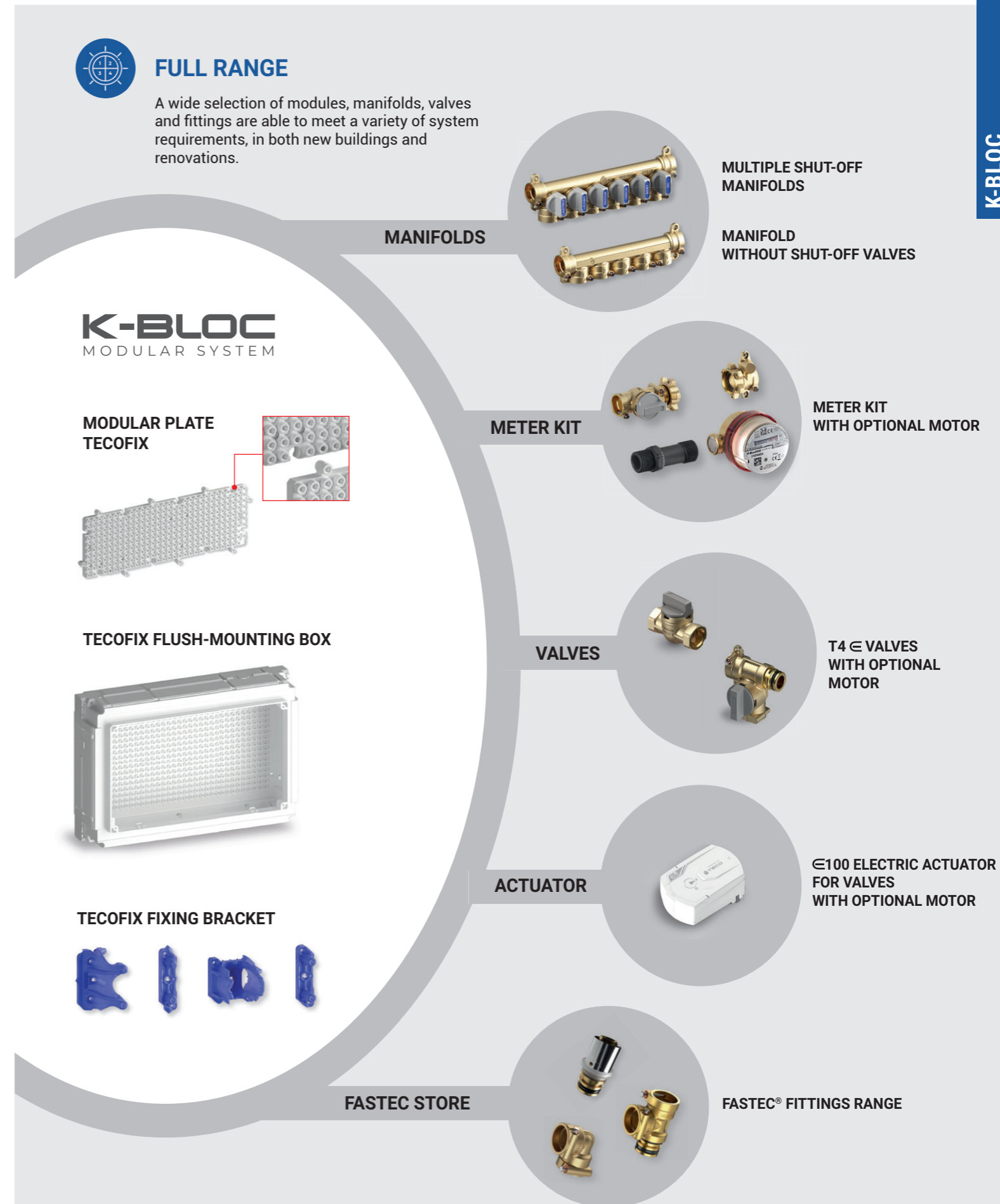
**FUNCTIONAL DESIGN**

The K-BLOC system and all its components have been designed to maximise efficiency, utility and convenience. The functional design offers neat installation that emphasises the installer's professionalism.



**FULL RANGE**

A wide selection of modules, manifolds, valves and fittings are able to meet a variety of system requirements, in both new buildings and renovations.

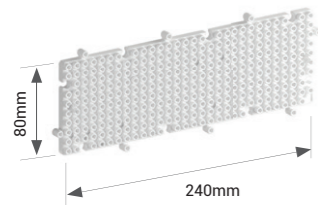


**TECOFIX INSTALLATION COMPONENTS**  
FOR K-BLOC MODULAR COMPACT DISTRIBUTION SYSTEM



**TECOFIX K-BLOC fastening modules**

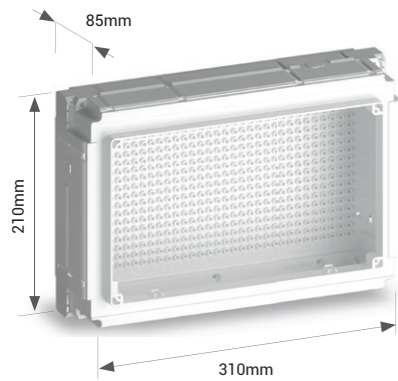
**TECOFIX fixing plate**



Code	Description	Pack
TXA01	TECOFIX modular fixing plate	18

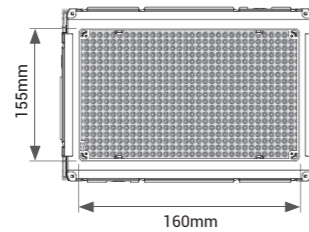
**TECOFIX flush-mounting box**

- Includes:**
- Site protection cover
  - Fixing mounts



Code	Description	Pack
TXA02	Box for flush-mounting applications	8

**Useful window sizes**



**EXAMPLES OF MAXIMUM CAPACITY**

- 2 multiple shut-off manifolds with up to 7 outlets cold and 6 hot outlets.
- 2 manifolds with general shut-off valves, 6 cold outlets and 5 hot outlets.
- 2 meter units, 80 / 110 mm.
- 4 motorised valves.

**!** Before fixing the assembly, offer up the top of the box to make sure that it is accessible.

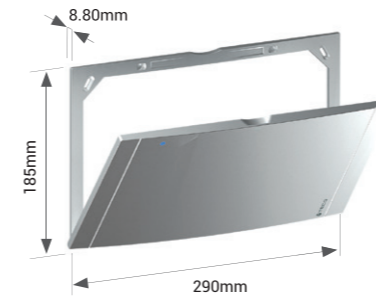
**Tecofix fixing brackets**

- Includes:**
- Expansion plugs
  - Fixing screws



Code	Description	Compatibility	Pack
TX001	TECOFIX HIGH brackets kit	CK3-CK2 manifolds T4, T4 ∈ T-valves	10
TX002	TECOFIX LOW brackets kit	CK3-CK2 manifolds T4, T4 ∈ T-valves	10
TX003	TECOFIX bracket kit FOR STRAIGHT VALVES	T4 ∈ straight valves	10
TX004	TECOFIX bracket kit FOR METERS	Kit for meters	10

**E03 Faceplate with magnetic closure for flush-mounting box**



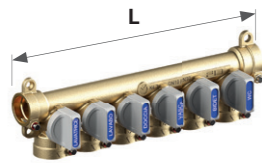
- Includes:**
- Fixing screws

Code	Finish	Pack
KPLE0301600	White	5
KPLE0301M00	Polished chrome	1
KPLE0301800	Silver	1
KPLE0301A00	Black Soft Touch	1

**TECOFIX INSTALLATION COMPONENTS**  
FOR K-BLOC MODULAR COMPACT DISTRIBUTION SYSTEM



**CK3 multiple shut-off manifolds**



**Technical data:**

- +5 °C ÷ +95 °C
- PN 10 (10 bar)
- DIN EN 13828, W570-1, KTW-BWGL, ACS, PZH

**Includes:**

- 1 DN15 manifold with DN10 individual shut-off valves
- Stickers for utility identification

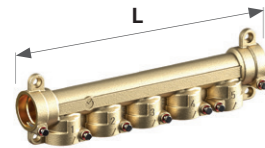
**Does not include:**

- TECOFIX fixing components
- Fastec fittings (page 58)

Code	Outlets	L (mm)	Connections	TECOFIX bracket compatibility	Pack
			FASTEC®		
CK032F10100	2	87	F13		5
CK033F10100	3	119	F13		5
CK034F10100	4	151	F13		5
CK035F10100	5	183	F13		5
CK036F10100	6	215	F13		5

See page 58

**CK2 manifolds without shut-off valves**



**Technical data:**

- +5 °C ÷ +95 °C
- PN 16 (16 bar)
- KTW-BWGL

**Includes:**

- 1 DN15 manifold
- Stickers for utility identification

**Does not include:**

- TECOFIX fixing components
- Fastec fittings (page 58)

Code	Outlets	L (mm)	Connections	TECOFIX bracket compatibility	Pack
			FASTEC®		
CK023F10100	3	119	F13		5
CK024F10100	4	151	F13		5
CK025F10100	5	183	F13		5

See page 58

**Spare parts for CK3**

See page 164, or visit the website for all product information.



**T4 "Top Entry" ball valve, Fastec "T" version**



**Technical data:**

- +5 °C ÷ +95 °C
- PN 10 (10 bar)
- DIN EN 13828, W570-1, KTW-BWGL, ACS, PZH

**Includes:**

- 1 valve with removable ball and control handle

**Does not include:**

- TECOFIX fixing components
- Fastec fittings (page 58)

Code	DN	Connections	Kv*	TECOFIX bracket compatibility	Pack
		FASTEC®			
T4P12C2100	DN10	F13 F / F / M	4.0		5

See page 58

\* The coefficient Kv defines the water flow (in m³/h from 5 °C to 40 °C) through a valve with a differential pressure of 1 bar.

**T4 ∈ "Top Entry" ball valves, "T" version and STRAIGHT version with optional motor**



WITH OPTIONAL MOTOR

**Technical data:**

- +5 °C ÷ +95 °C
- PN 10 (10 bar)
- DIN EN 13828, W570-1, KTW-BWGL, ACS, PZH

**Includes:**

- 1 valve with removable ball and control handle with optional motor

**Does not include:**

- TECOFIX fixing components
- Fastec fittings (page 58)
- ∈ 100 electric actuator (page 57)

Code	DN	Connections		Kv*	TECOFIX bracket compatibility	Pack
		FASTEC®	Threaded (EN 10226-1)			
T4P32C1100	DN15	F13 F / F / F	-	5.8		10
T4P32C2100	DN15	F13 F / F / M	-	5.8		10
T4P32C3100	DN15	F13 M / F / F	-	5.8		10
T4P3211100	DN15	-	Rp 1/2" F / F	15		5
T4P3271100	DN15	F13 F / F	-	15		10
T4P3272100	DN15	F13 F / M	-	15		10

See page 58

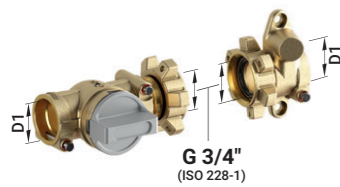
\* The coefficient Kv defines the water flow (in m³/h from 5 °C to 40 °C) through a valve with a differential pressure of 1 bar.

## TECOFIX INSTALLATION COMPONENTS FOR K-BLOC MODULAR COMPACT DISTRIBUTION SYSTEM



FIND OUT MORE

### Valve and fitting kit for meter



#### Technical data:

- +5 °C ÷ +90 °C
- PN 10 (10 bar)
- DIN EN 13828 , W570-1 , KTW-BWGL , ACS , PZH

#### Includes:

- 1 valve with removable ball and control handle with optional motor
- Fitting with non-return valve on the outlet



#### Does not include:

- TECOFIX fixing components
- Fastec fittings (page 58)
- Volumetric meter and its communication modules
- Joints
- €100 electric actuator (page 57)

Kit code	DN	Connections	TECOFIX bracket compatibility	Pack
		D1 FASTEC®		
CKCCXF10100	DN15	F13 F	<p>TX004 kit</p>	5
<a href="#">See page 58</a>				

### Volumetric meter



Code	Description	DN.	Pack
KA00CC0005	SJ EVO meter - Q <sub>3</sub> m <sup>3</sup> / h. 2.5 - L. 80 - G 3/4" Suitable for operation with hot and cold water	15	1

### Joint



Code	Description	Pack
KA00CC0007	Joint L. 80 mm	5
KA00CC0008	Joint L. 110 mm	5

#### Spare parts for valve and fitting kit for meter

See page 166, or visit the website for all product information.



### €100 ON/OFF electric actuator

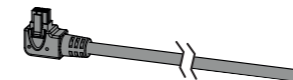


#### Includes:

- €100 ON/OFF electric actuator
- 1.25 m cable with Molex Micro-Fit connector

Code	Voltage	Auxiliary microswitch position	Pack
E1045100	AC 110 – 230 V	With valve closed	1
E1046100	AC/DC 24 V		
Code	Voltage	Auxiliary microswitch position	Pack
E1042100	AC 110 – 230 V	With valve open (zone valve)	1
E1044100	AC/DC 24 V		

### Optional 3 metre cable for €100 electric actuator



Code	Description	Pack
KA00K00014	Kit of 6P X 3M cable + Micro-Fit connector	1

### Communication modules for remote meter reading

The volumetric meter can be equipped with communication modules for remote metering.



Code	Description	Pack
KA00CC0001	EVO 868 MHz LoRaWAN Radio Module	1
KA00CC0002	EVO 868 MHz Wireless M-Bus Radio Module	1
KA00CC0003	M-Bus EVO module	1
KA00CC0004	Pulse Evo module	1

**TECOFIX INSTALLATION COMPONENTS**  
FOR K-BLOC MODULAR COMPACT DISTRIBUTION SYSTEM



**Fastec adapters and fittings**

**Fastec Fittings**

Code	Description	Pack
RF12210200	90° F / F	10
RF12210100	90° M / F	10
RF12310200	T F / F / F	5
RF12310100	T M / F / F	5
RF12110200	Sleeve F / F	10
KA00K00008	Nipple M / M	10
KA00F10001	Dual joint Twin F / F / M	5
KA00K00016	Plug F	10
KA00K00002	Plug M	20
RF12110400	Barrel nut M L. 25 mm	10
RF12110500	M L. 50 mm	10
RF12110600	M L. 75 mm	8

**Threaded fittings**

Code	Description	Pack
KA00K00003	M x R 1/2"	10
KA00K00013	M x R 3/4"	10
RF12101000	M x Rp 1/2"	10
RF12111000	M x Rp 3/4"	10
KA00K00004	EUROKONUS M x EK 3/4"	10
RF122F0100	M 90° x R 1/2"	10
RF122F0200	M 90° x Rp 1/2"	10
RF12110900	SWIVEL NUT FLAT SEAL WITH O-RING M x G 3/4"	10

R (male) and Rp (female) threaded connections in accordance with EN 10226-1 and G threaded connections in accordance with ISO 228-1.

**Fittings for PEX pipes**

Code	Pipe Ø x Thickness	Pack
RF12100100	M 16 x 1.8	10
RF12100200	M 20 x 1.5	10
RF12100300	M 25 x 2.3	5
RF13M1210301	M 12 x 1.1	10
RF13M1610301	M 16 x 1.5	10
RF13M2010301	M 20 x 1.9	10
RF13M1210401	M 12 x 1.1	10
RF13M1610401	M 16 x 1.5	10
RF13M2010401	M 20 x 1.9	10

**Fittings for multi-layer pipes**

Code	Pipe Ø x Thickness	Pack
RF13M16101VA	M 16 x 2.0	10
RF13M16102VA	M 16 x 2.25	10
RF13M20101VA	M 20 x 2.0	10
RF13M20102VA	M 20 x 2.5	10
RF13M26101VA	M 26 x 3.0	5
1651039	M 16 x 2.0	10
1651040	M 20 x 2.0	10
1651041	M 26 x 3.0	5

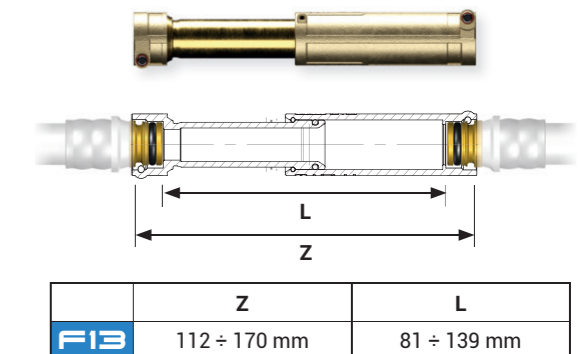
Code	Pipe Ø x Thickness	Pack
511115MP	M 16 x 2.0	5
511116MP	M 16 x 2.25	5
511118MP	M 20 x 2.0	5
511119MP	M 20 x 2.25	5
511120MP	M 20 x 2.5	5
511121MP	M 25 x 2.5	5
511122MP	M 26 x 3.0	5
39342	M 16 x 2.0	10
39344	M 20 x 2.0	10

**F13 Fittings with FASTEC connection available in manufacturers' catalogues**

<b>COMISA</b> COMISA PRESS Pipe Ø 16-20	<b>HENCO</b> Pipe Ø 16-20-26	<b>APE</b> raccorderie AP SERIES Pipe Ø 16-20-26	<b>+GF+</b> ALUPEX EXPRESS Pipe Ø 16-20	JRG SANIPEX MT Pipe Ø 16-20	<b>TECE</b> LOGO Pipe Ø 20	FLEX Pipe Ø 16-20-25
---	---------------------------------	--	---	--------------------------------	----------------------------------	-------------------------

**EXTENDER telescopic joint**

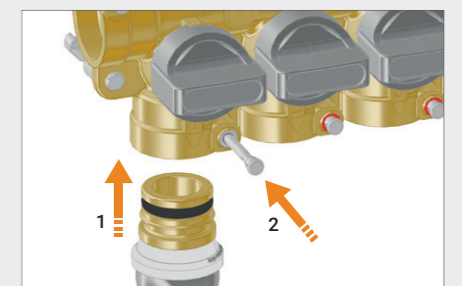
Code	Description	Pack
RF12110300	EXTENDER telescopic joint F / F	5



**FASTEC®**  
THE FAST AND SECURE PLUMBING CONNECTION

Plumbing connection with pin locking (page 6).

**F13 DN 15** Equivalent to 1/2"

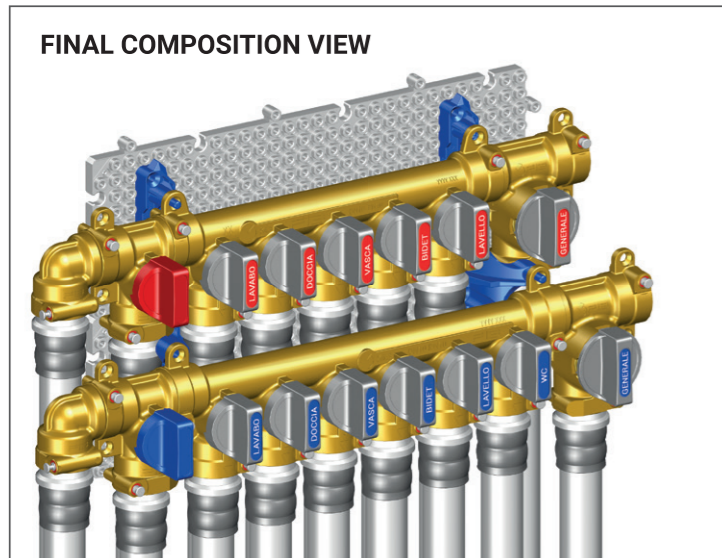
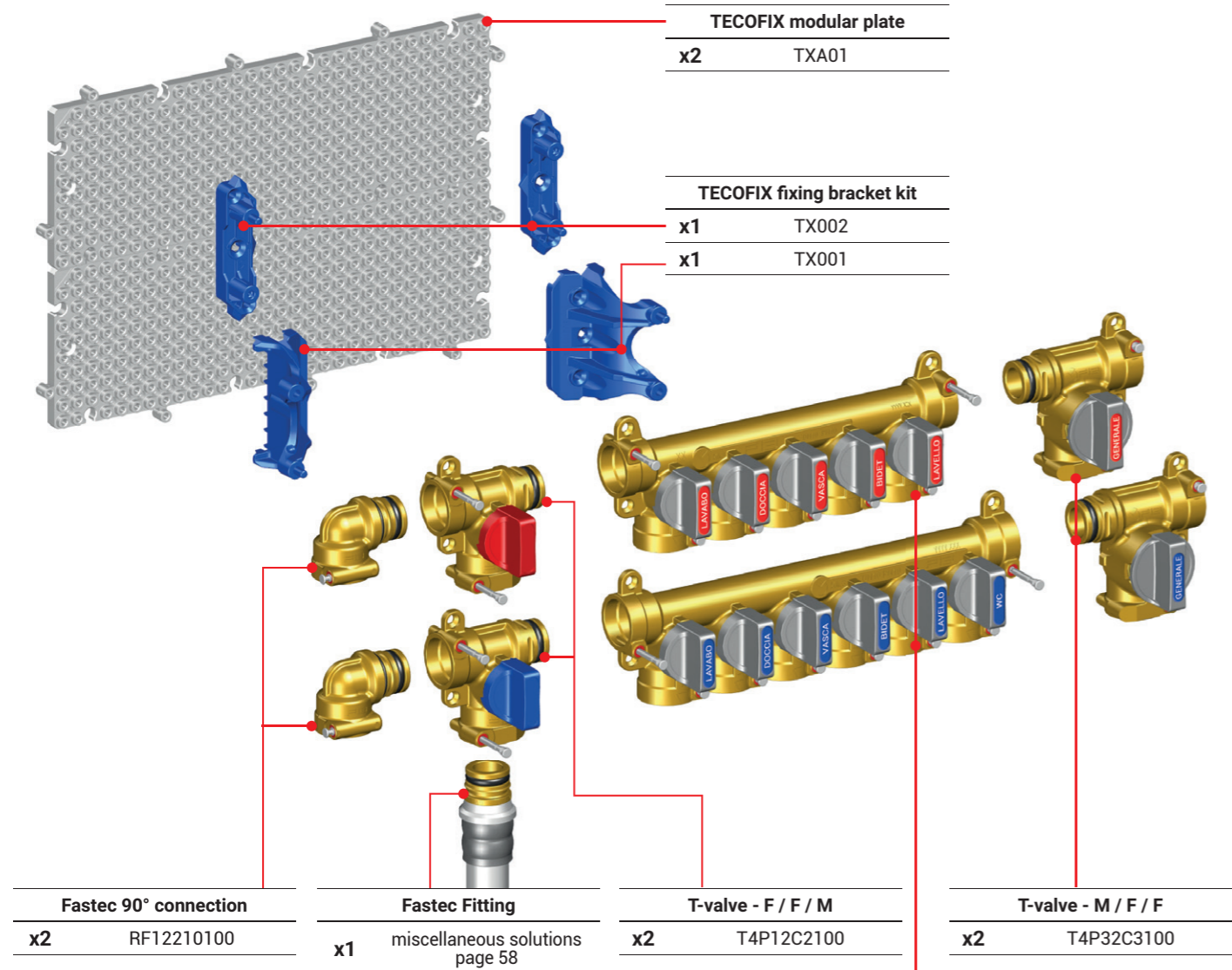


1. Insert the fitting with the pin raised.
2. Lower the locking pin to complete the connection.

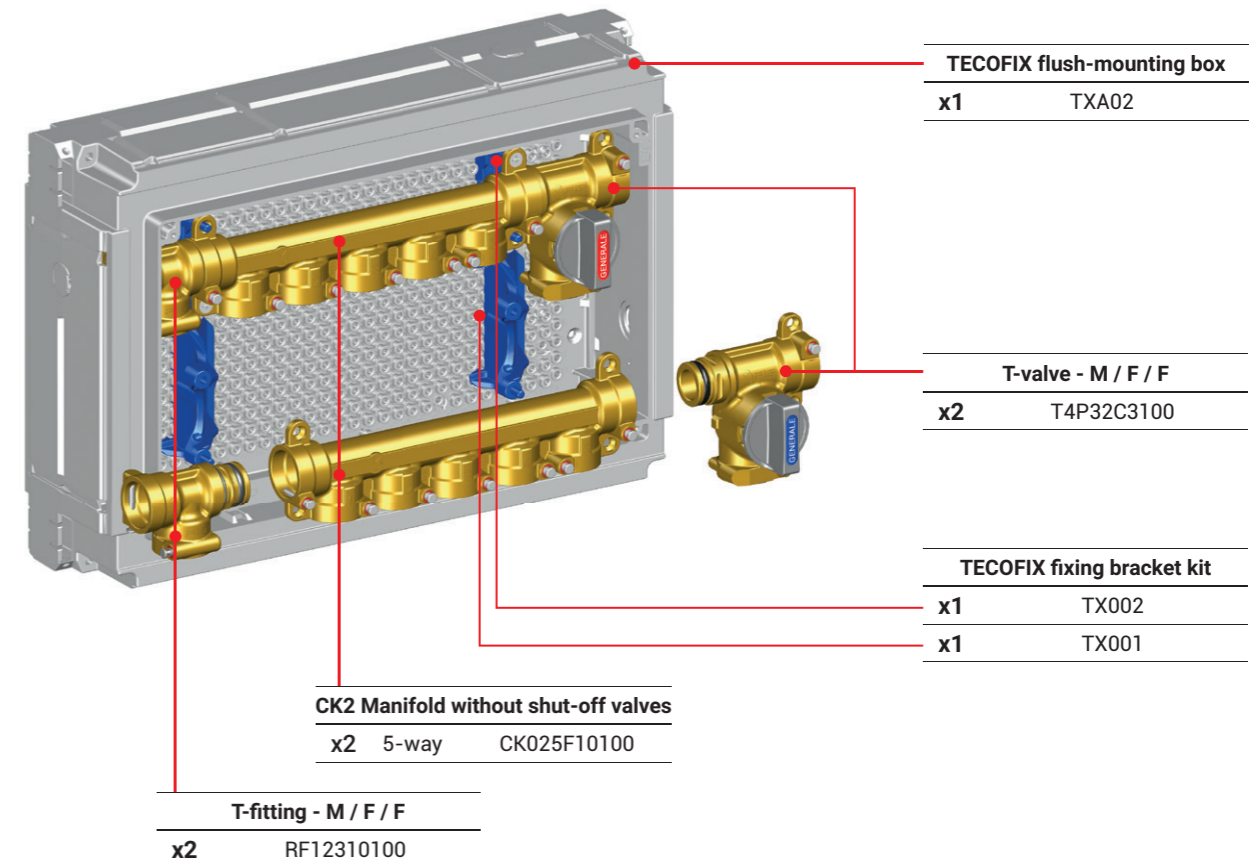
**APPLICATION EXAMPLES**  
FOR K-BLOC MODULAR COMPACT DISTRIBUTION SYSTEM



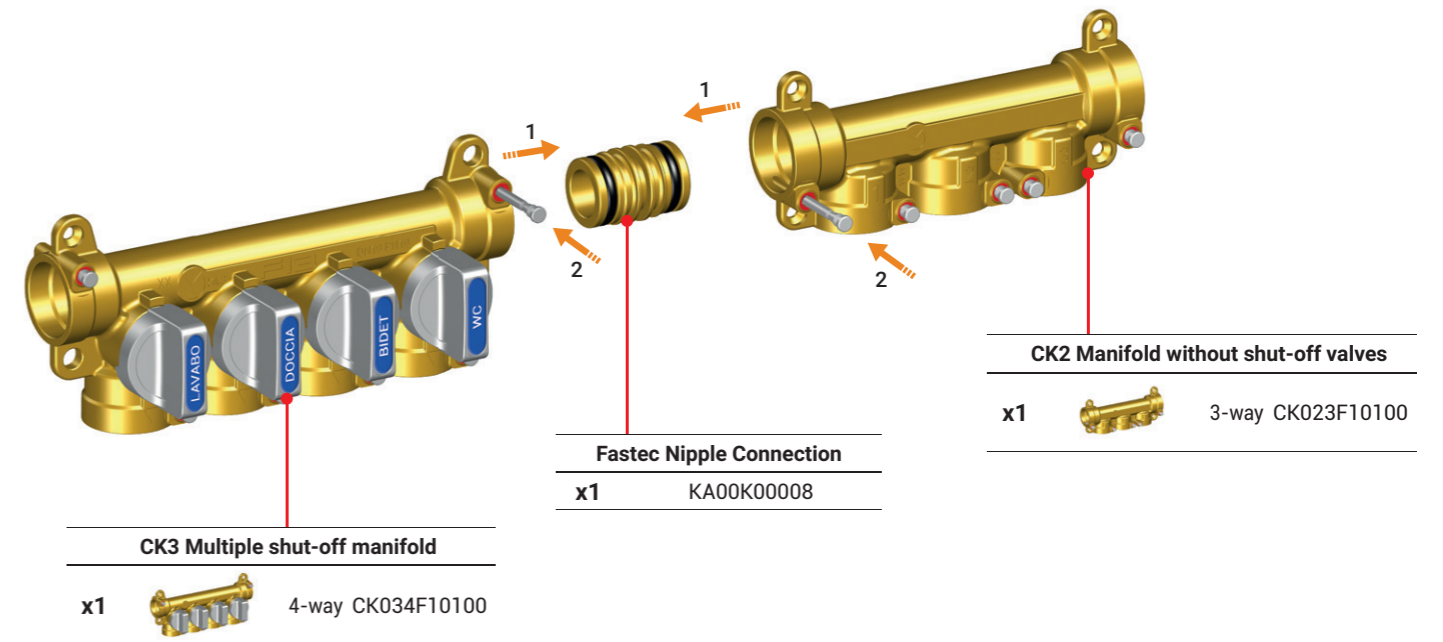
**MULTIPLE SHUT-OFF MANIFOLD**



**FLUSH-MOUNTING MANIFOLD WITH GENERAL SHUT-OFF VALVES**



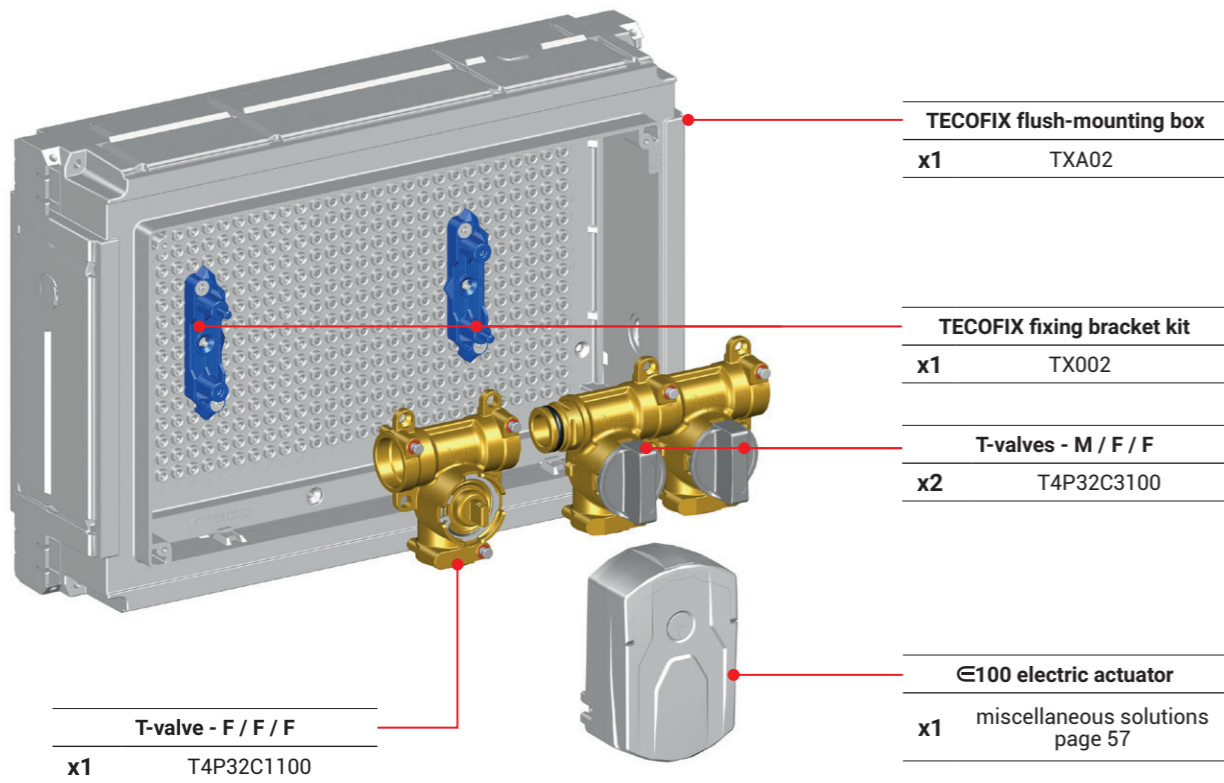
**MANIFOLD CONNECTION**



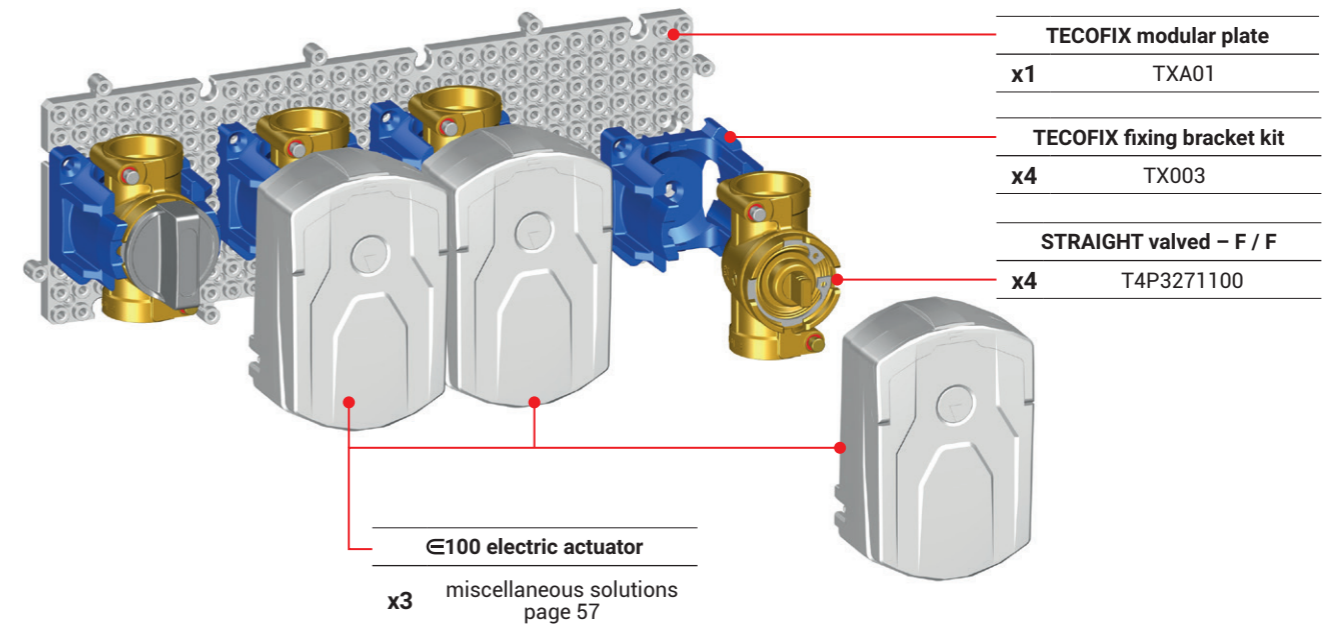
**APPLICATION EXAMPLES**  
FOR K-BLOC MODULAR COMPACT DISTRIBUTION SYSTEM



**FLUSH-MOUNTING MANIFOLD WITH T-VALVE**



**STRAIGHT MOTORISED VALVES**



**METER UNIT**

