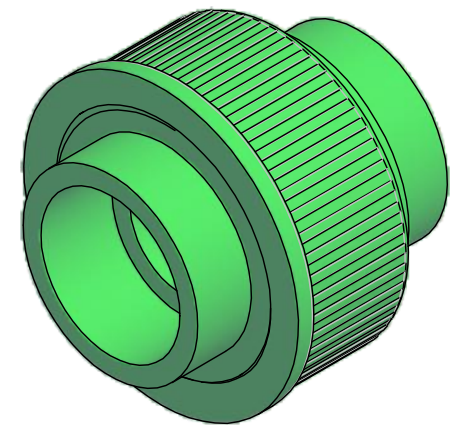


CODE	Dn1	Dn2	D1	D	L1	L2	L
16V6732	20	20	14	53	20	20	73
16V6733	25	25	18	57	20	20	70
16V6734	32	32	24	67	20	20	70
16V6735	40	40	29	77	20	20	70



PolySYSTEM

ITEM: **V67**
C:\Vault_Temp\Disegni\Schede Tecniche\Polysystem metric\Socket fusion and butt fusion fittings\PS10031.dwg

DESC: BOCCHETTONE A TRE PEZZI A SALDARE
 UNION THREE PIECES



DRAWING No:
PS10031
 SHEET OF 1 1 REV. -1

www.nupiindustriaitaliane.com - info@nupinet.com

All dimensions have to be considered in millimeters with 5% tolerance if not otherwise mentioned excluding values as per standard EN ISO 15874