

Illustrative picture

SPECIFICS

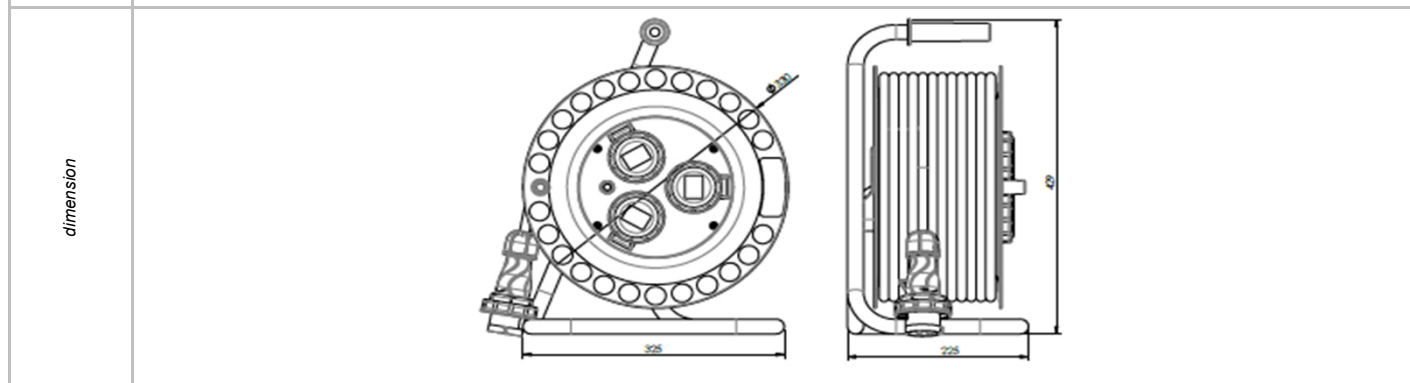
Description	Product type	Industrial cable reel HO7RNF 3G2,5 30Mt 3 Ind. 16A 2P+E IP44 Thermal cut-out
	Article code	4001
	Commercial Series	SERIES 4000

General Data	Poles	N° 2P+E	Type of material	Polipropilene/Nylon /pvc/rubber						
	Current	A 16	Dimensional stability	°C -25 /+70						
	Voltage	V~ 230	Resistance glow wire test	°C +650 / +850						
	Cable	H07RNF 3G2,5	Working temperature	°C , -25 + 55						
	Degree of protection	IP 44	Weight	kg 9,4						
	Impact Resistance	IK 8	Cable meters	m 30						
	Insulation Resistance	MΩ >10								
Behaviour with chemical and atmospheric agents										
Saline Solution	Acids		Bases			Solvents			Mineral Oil	UV rays
Resistant	Concentraded	Diluted	Concentraded	Diluted	Hexane	Benzol	Acetone	Alcohol	Resistant	Resistant
Resistant	Limited Resistant	Resistant	Resistant	Resistant	Limited Resistant	Limited Resistant	Resistant	Resistant	Resistant	Resistant

Standards	CEI EN 61316	2014/35/UE
-----------	--------------	------------

Features package	Descriptions		N/pieces	Weight/kg
	Article		1	9,4
	Package innerbox			
	Packaging			

Plug/Sockets	3 Industrial sockets. 16A 2P+E 400V
	Protection Thermal cut-out



CERTIFICATO N° 9105.ROS3 - UNI EN ISO 9001:2015



Reg. A.E.E n° IT17100000010057

DATA	RESPONSABILE TECNICO
30/04/2021	Romano Rosi